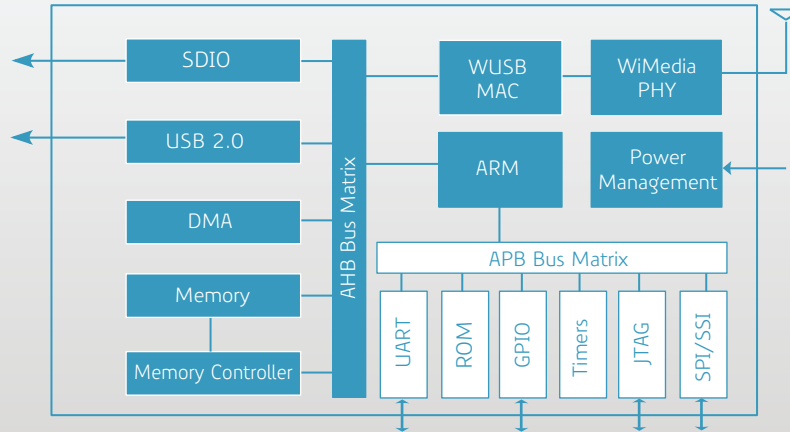




WSR601 Block Diagram



## About Wisair

Wisair is a leading provider of chipset solutions based on WiMedia Ultra Wideband (UWB) and Certified Wireless USB for consumer electronics, PC peripherals, and mobile devices.

With several decades of combined experience in the wireless industry, the Wisair team presents unmatched technical excellence. Wisair holds multiple UWB patents and is a member in the WiMedia alliance, the Wireless USB promoter group, and the Bluetooth SIG.

A privately-held company, Wisair is headquartered in Israel with offices in the USA, Japan, Korea, Singapore and Taiwan.

## Specifications

### Wireless USB and MAC

- Based on Certified Wireless USB and WiMedia MAC specifications
- Supports native Wireless USB device, Host Wire Adapter (HWA), Device Wire Adapter (DWA)
- Cable and numeric association models
- Asynchronous, isochronous transfer modes
- Internal packet memory
- Power management
- AES-128 encryption

### Interfaces

- USB 2.0/1.1 (host and device)
- SDIO 2.0

### Package

- TFBGA

### PHY

- Standard WiMedia PHY
- WiMedia data rates 53.3 to 480 Mbps
- 3.1 to 4.8GHz frequency range
- Time frequency codes 9-12 (TFI), 13-15 (FFI)
- Detect & Avoid (DAA) technology
- Single or dual antenna with diversity
- Co-existence with Bluetooth, 802.11, WiMAX and WWAN

### General

- External memory options: SPI/SSI, serial flash/EEPROM, SD-RAM
- Boot options: Internal ROM with boot loader software, by application processor, serial flash/EEPROM
- Operational temperature: -40°C to 85°C