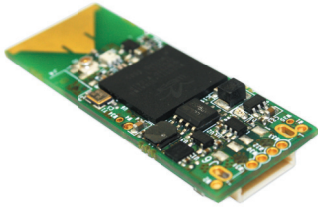




# Wireless USB Embedded Module



## Key Features

- Embedded Wireless USB module for multiple applications
- USB interface
- Effortless integration
- Superior RF performance with extended range and coverage
- UltraSpeed technology for enhanced performance
- Fully standard solution (Wireless USB certified by the USB-IF)
- Approved by worldwide regulatory bodies

## Overview

Wisair's Wireless USB module enables embedding Wireless USB functionality into a range of applications—from USB devices (such as hard disk drives and monitors), through industrial applications, medical devices, telecommunications and more.

Delivering a USB interface, the embedded module enables a quick implementation with minimal integration efforts. The embedded module design is based on Wisair's WSR601 single Wireless USB chip, fully certified by the USB-IF and approved by UWB regulatory requirements worldwide.

The design consists of a bare module with a single USB port (with optional x2 for wired/wireless operation) and is suitable for different form factors and space-sensitive applications.

The embedded module can be supplied with a PC adapter, a choice of on-board or external antenna, as a bare module or with enclosure—for a complete, end-to-end solution.

## Package Contents

The Wireless USB embedded module is provided with all the tools and documentation necessary to ensure a successful implementation, and includes:

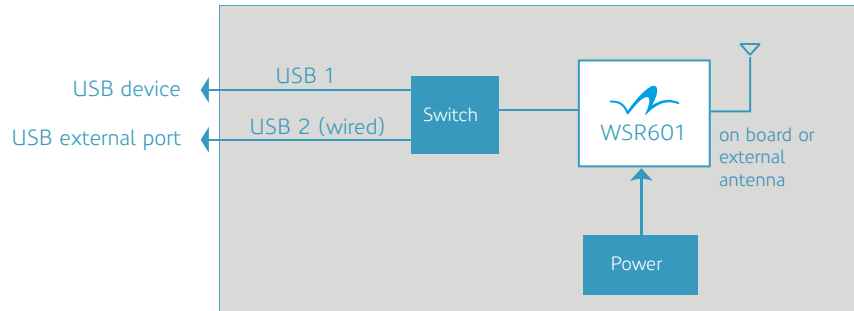
- Integration application notes
- Software and drivers
- Software user interface guide

## Benefits

- Ready-to-go solution with quick time to market
- Fully certified Wireless USB technology
- Approved by regulatory bodies worldwide
- Small form factor for embedded solutions
- Best combination of power consumption, performance and cost



# Wireless USB Embedded Module



Embedded module block diagram with optional wired/wireless switching

## About Wisair

Wisair is a fabless semiconductor company providing Ultra Wideband (UWB) and Wireless USB solutions based on its CMOS single chip.

Recognized for their superior coverage and throughput, Wisair's solutions offer the best combination of performance, price, and power consumption for Wireless USB.

## Specifications

### General

- Interface: USB 2.0 (x2 with optional wired/wireless operation)
- On-board UWB omni-directional antenna
- PCB size — 18mm x 48mm
- Power consumption: 1 Watt @ 5VDC
- Approved by USA, Japan, Europe, and Korea regulatory bodies
- Coexistence with other wireless technologies, such as 802.11 and Bluetooth
- Operational temperature 0°C to 50°C
- RoHS compliant

### Wireless USB, WiMedia Standards

- WiMedia certified PHY and MAC
- Certified Wireless USB from the USB-IF
- 128AES encryption
- 3.168 to 4.752 GHz (WiMedia band group 1)
- PHY channels 9-15